



elektrosistem



ACCELERATOR HANDLE

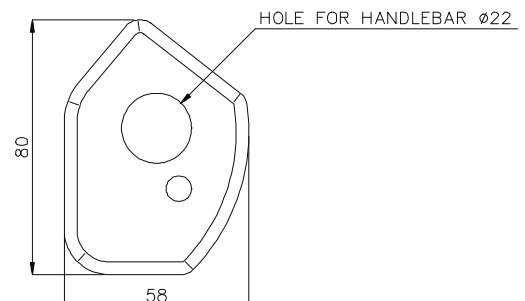
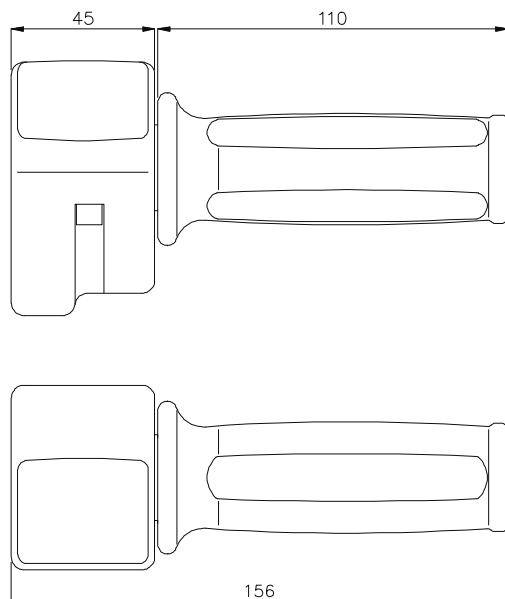
The accelerator handle is a speed control device generally used on vehicles with handlebar.

The accelerator handle is always equipped with potentiometer, sheathed wiring (standard length is 2 mt) and left handle. According to the customer's needs and to the application some devices can be added, like:

- ON-OFF switch usually used as key switch,
- LED to signal the vehicle switching on,
- microswitch for running control selection necessary for some control units,
- 1-0-2 switch used as running direction selector for bidirectional applications or min. and max. speed selector for one direction applications.

On request customized accelerator handles can be delivered.

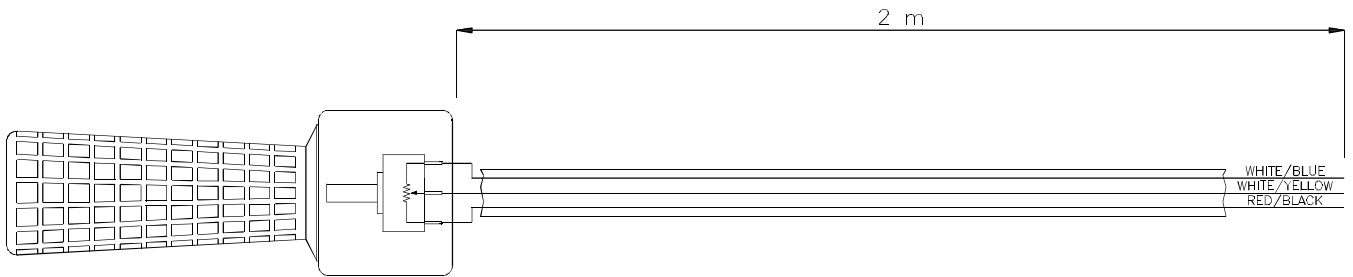
DIMENSIONS in mm.



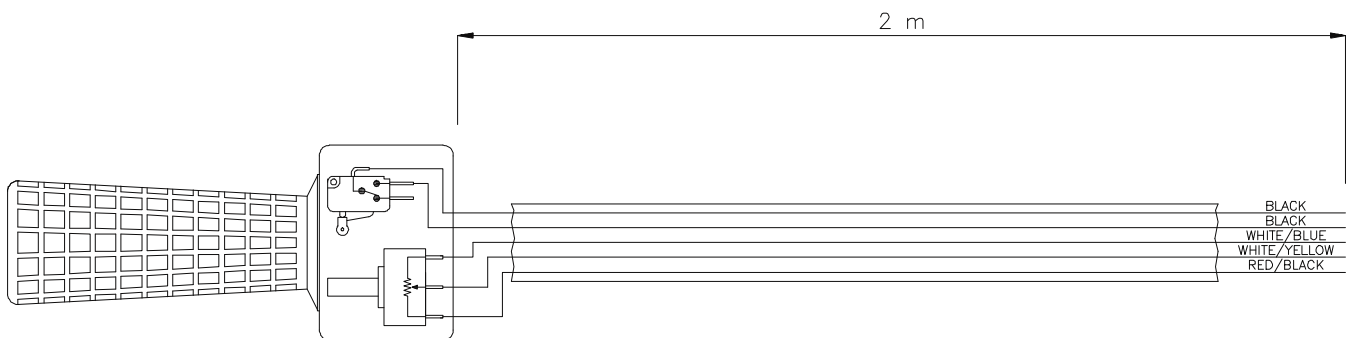
~~NEWS~~

WIRING DIAGRAMS

With potentiometer



With potentiometer and microswitch



With potentiometer and direction selector

